

SM SERIES SIDE MOUNT FILTER (SM 450 - SM 1200)

Size Available - SM 450 - SM 1200

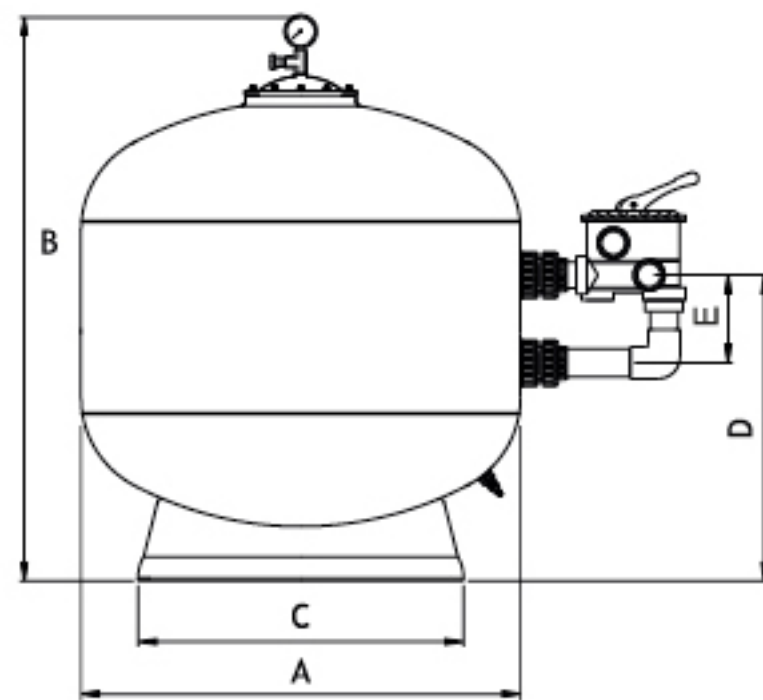


TECHNICAL SPECIFICATION

Maximum Working Pressure	2.5 kg/cm ² .g (Standard) / 4.0 kg/cm ² .g (Optional)
Factory Testing Pressure	4.0 kg/cm ² .g / 6.0 kg/cm ² .g
Size of Silica Sand	0.4 - 0.8 mm (Not included in scope of supply)
Maximum Filtration Velocity	30 - 50 m ³ / hr / m ²
Maximum Water Temperature	49 ^o C

TECHNICAL CHARACTERISTICS

Model	Pipe Size NB	Filtration Area M ²	Sand Required Kg	Design Flow M ³ / hr
SM 450 - 18	40	0.15	80	5 - 8
SM 550 - 21	40	0.22	150	7 - 11
SM 650 - 25	40	0.32	220	9 - 15
SM 700 - 28	40	0.37	240	14 - 18
SM 760 - 30	50	0.44	270	14 - 22
SM 860 - 32	50	0.56	400	18 - 24
SM 960 - 36	50	0.70	470	22 - 31
SM 1100 - 44	50	0.93	900	34 - 40
SM 1200 - 48	65	1.10	1300	40 - 46



Model	SM 450 18	SM 550 21	SM 650 25	SM 700 28	SM 760 30	SM 860 32	SM 9600 36	SM 1100 44	SM 1200 48
A	450	550	650	700	760	860	960	1100	1200
B	705	770	850	920	970	1090	1160	1380	1480
C	330	400	440	560	560	650	700	800	870
D	360	410	450	500	540	590	640	810	900
E	120	140	140	160	180	180	190	240	240

CAUTION : FILTER IS NOT TO BE USED WHEN THERE IS NEGATIVE PRESSURE.

Dimension : ± 10%

Available with:

FILTRA CONSULTANTS AND ENGINEERS LTD.

Gala No. 2 & 3, Ground Floor, Neminath Industrial Estate No. 2, Navghar, Vasai (East), Dist.: Palghar - 401 219
Tel.: +91 8691009127/26 Email: filtraw@gmail.com Website: www.ewater-treatmentindia.com



TM SERIES TOP MOUNT FILTER (TM 450 - TM 960)

Size Available - TM 450 - TM 960

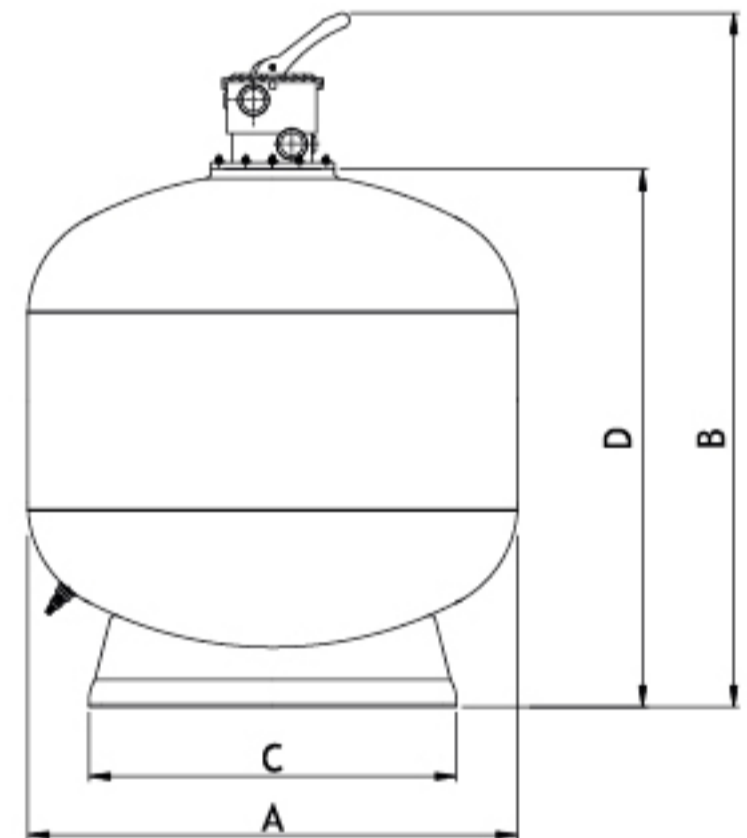


TECHNICAL SPECIFICATION

Maximum Working Pressure	2.5 kg/cm ² .g (Standard) / 4.0 kg/cm ² .g (Optional)
Factory Testing Pressure	4.0 kg/cm ² .g / 6.0 kg/cm ² .g
Size of Silica Sand	0.4 - 0.8 mm (Not included in scope of supply)
Maximum Filtration Velocity	30 - 50 m ³ / hr / m ²
Maximum Water Temperature	49° C

TECHNICAL CHARACTERISTICS

Model	Pipe Size NB	Filtration Area M ²	Sand Required Kg	Design Flow M ³ / hr
TM 450 - 18	40	0.15	80	5 - 8
TM 550 - 21	40	0.22	150	7 - 11
TM 650 - 25	40	0.32	220	9 - 15
TM 700 - 28	40	0.37	240	14 - 18
TM 760 - 30	50	0.44	270	14 - 22
TM 860 - 32	50	0.56	400	18 - 24
TM 960 - 36	50	0.70	470	22 - 31



Model	TM 450 18	TM 550 21	TM 650 25	TM 700 28	TM 760 30	TM 860 32	TM 960 36
A	450	550	650	700	760	860	960
B	780	840	1040	990	1090	1210	1280
C	330	400	440	560	560	650	700
D	530	600	680	750	800	920	990

CAUTION : FILTER IS NOT TO BE USED WHEN THERE IS NEGATIVE PRESSURE.

Dimension : ± 10%

Available with:

FILTRA CONSULTANTS AND ENGINEERS LTD.

Gala No. 2 & 3, Ground Floor, Neminath Industrial Estate No. 2, Navghar, Vasai (East), Dist.: Palghar - 401 219
Tel.: +91 8691009127/26 Email: filtraw@gmail.com Website: www.ewater-treatmentindia.com



FSM SERIES COMMERCIAL APPLICATION FILTERS (FSM 1200 - FSM 2500)

Size Available - SM 1200 - SM 2500

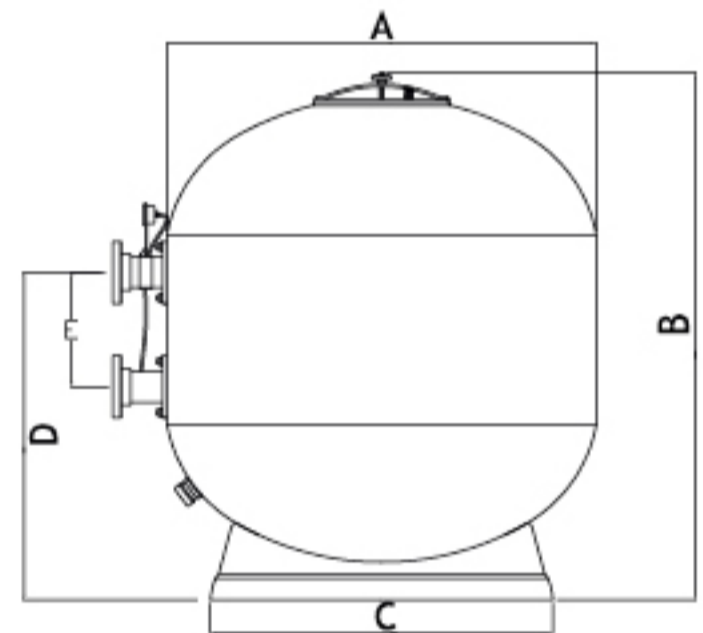


TECHNICAL SPECIFICATION

Maximum Working Pressure 2.5 kg/cm².g (Standard) / 4.0 kg/cm².g (Optional)
 Factory Testing Pressure 4.0 kg/cm².g / 6.0 kg/cm².g
 Size of Silica Sand 0.4 - 0.8 mm (Not included in scope of supply)
 Maximum Filtration Velocity 30 - 50 m³/ hr / m²
 Maximum Water Temperature 49° C

TECHNICAL CHARACTERISTICS

Model	Filter Area M ²	BALL Valve Connections	Flow rate M3 / hr	Send Required Kg	Gravel Kg
FSM 1200 - 48	1.10	80 mm	33 - 44	1100	300
FSM 1400 - 55	1.52	100 mm	46 - 60	1400	450
FSM 1600 - 63	1.98	100 mm	60 - 80	2400	800
FSM 1800 - 70	2.50	150 mm	75 - 101	3000	1000
FSM 2000 - 78	3.11	150 mm	94 - 125	4500	1500
FSM 2300 - 90	4.11	200 mm	124 - 164	6000	2000
FSM 2500 - 98	4.90	200 mm	148 - 197	8500	3000



Model	FSM 1200 48	FSM 1400 55	FSM 1600 63	FSM 1800 70	FSM 2000 78	FSM 2300 90	FSM 2500 98
A	1200	1400	1600	1800	2000	2300	2500
B	1460	1700	1950	2150	2400	2700	2950
C	900	1020	1270	1430	1600	1830	2000
D	900	1050	1230	1350	1530	1700	1900
E	350	350	425	500	500	650	650

Note: Flow rate is calculated at a specific velocity of 30 m³ /hr m²
 Flow rate is calculated at a specific velocity of 40 m³ /hr m²

CAUTION : FILTER IS NOT TO BE USED WHEN THERE IS NEGATIVE PRESSURE.

Dimension : ± 10%

Available with:

FILTRA CONSULTANTS AND ENGINEERS LTD.

Gala No. 2 & 3, Ground Floor, Neminath Industrial Estate No. 2, Navghar, Vasai (East), Dist.: Palghar - 401 219
 Tel.: +91 8691009127/26 Email: filtraw@gmail.com Website: www.ewatertreatmentindia.com

