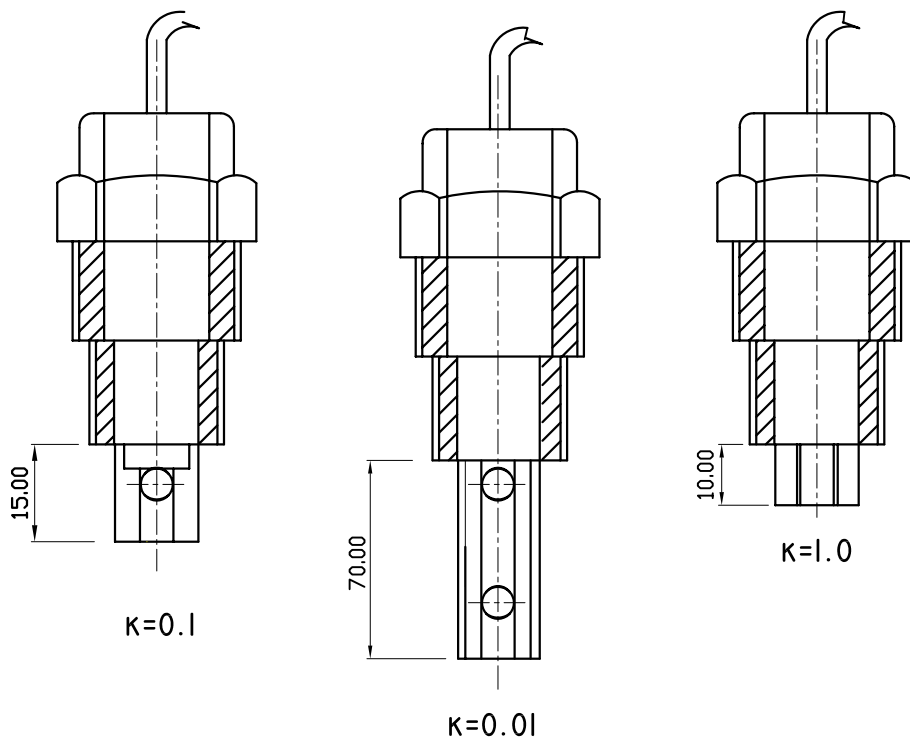


Available Ranges Of conductivity Sensors With Following Constant.

1.K=1.0 (Conductivity Measured up to 9999)

2.K=0.1 (Conductivity Measured up to 1999)

3.K=0.01 (Conductivity Measured up to 19.99)



REV	DATE	DESCRIPTION		DONE BY- RUPALI
			Conductivity Sensor	CHD.- KAILASH
				APRVD.: -JUHI
			ASTER TECHNOLOGIES	SCALE:-NTS
00	16.12.08			